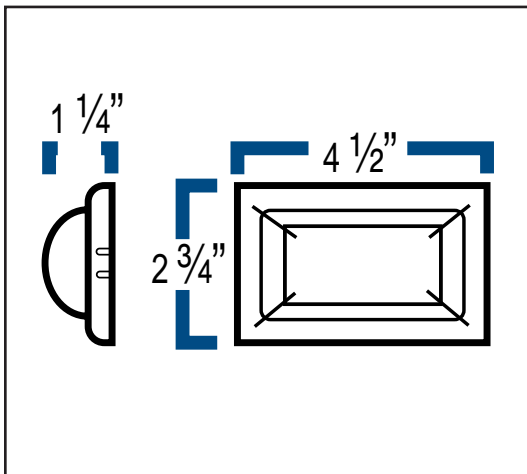


AMBIANCE®
LANDSCAPE LIGHTING SYSTEM



9329-12 BLACK

LAMP SELECTION:

- Two 12V T3 1/4 wedge base Xenon lamps 3w max, (not included).

DIMENSIONS:

- Height: 2 3/4" • Width: 4 1/2" • Ext.: 1 1/4"

TYPICAL APPLICATIONS:

- Stair Risers / Platforms
- Under Decks / Railings
- Exposed Decorative Lighting

PRODUCT FEATURES:

- This 12 volt patented linear lighting system provides safe, functional, easy to install, surface mounted illumination.
- The low profile design allows it to fit into virtually any application.
- Includes one double polycarbonate T3 1/4 wedge base socket (9328).
- Well suited for commercial and residential applications.
- Xenon lamps offer high intensity, halogen-like quality white light and long life.
- The lamp socket offers even light source.
- Two lamp socket offers "always on" if one lamp burns out.
- Corrosion resistant.
- White polycarbonate diffuser.

GENERAL TECHNICAL INFORMATION:

- 9328 socket for use with specially designed Ambiance™ 105°C rated cable.
- Use of other manufacturers components will void the Sea Gull Lighting warranty, UL listing and create a potential safety hazard.
- US Patent # 344,262 - Sea Gull Lighting Products, Inc.
- UL and CUL Listed for wet or dry locations (12V).

9329 TECHNICAL INFORMATION

INSTALLATION AND SAFETY INSTRUCTIONS

FOR YOUR SAFETY

WARNING: Be sure the electricity to the system you are working on is turned off; either the fuse removed or the circuit breaker set at off.

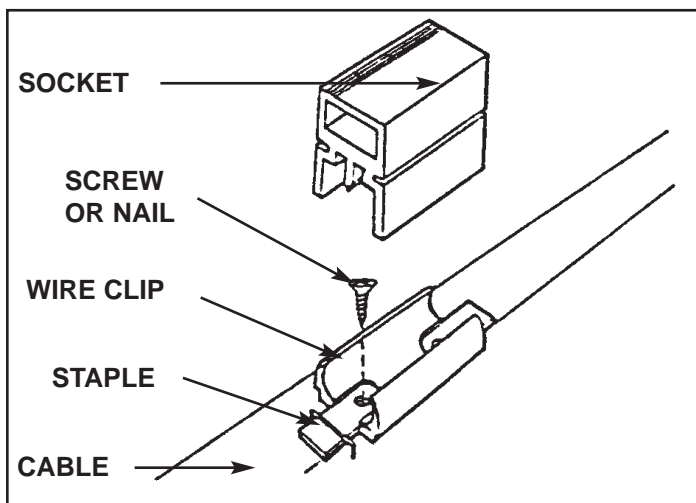
RISK OR FIRE: Exceeding maximum wattage may result in overheating conductors. Read instructions carefully. If you are unclear as to how to proceed, consult a qualified electrician.

WARNING: Use of other manufacturers components will void warranty, U.L. listing, and create a potential safety hazard.

TO INSTALL 9328 SOCKET

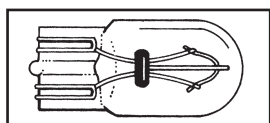
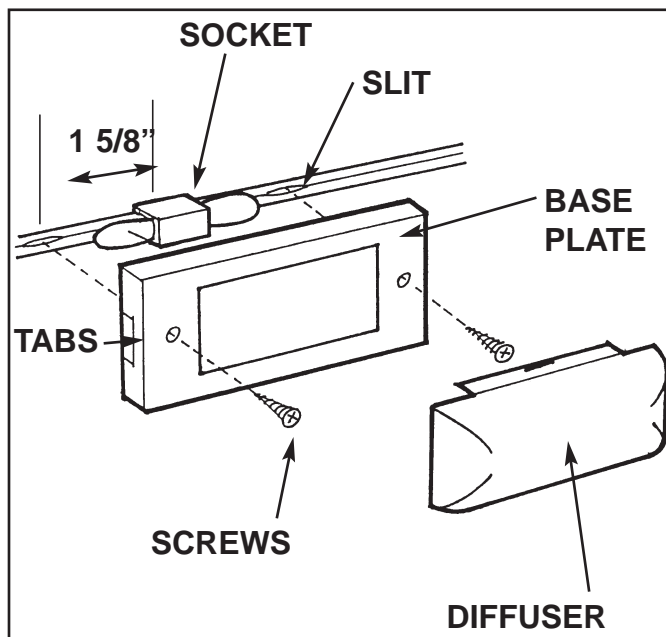
- A. Determine socket location and spacing, minimum 4" center to center.
- B. Attach wire clips to surface with either nails, screws, or staples.
- C. Run 12/2 105° cable by pressing cable into wire clips.
- D. Install bulbs (not included), 3 watt maximum.
- E. Press socket straight down into track and cable until socket snaps into place.
- F. Center of socket must not be closer than 1 1/2" to closed ends (wall surfaces and partitions).

(FOR USE ONLY WITH AMBIANCE 105°C CABLE)



TO INSTALL 9329 DECK LIGHT

- 1) For surface wiring (if wired from behind or switch box proceed to #3), make two 1" long slits in cable 1 5/8" apart centered on socket.
- 2) Attach base plate with screws (not included) through slits in cable (break off one or two tabs for cable if surface wire).
- 3) Install lamps (not included).
- 4) Snap on diffuser.



LAMPS: T 3 1/4 WEDGE BASE 12V LAMPS

All glass wedge base lamps are designed for long life and severe operating conditions, including shock, vibration, heat, cold, moisture. With no metal base or soldered connections to loosen, break or corrode, these lamps will operate in high ambient temperatures. Xenon lamps offer long life, high intensity and white color similar to halogen.

LAMP SELECTION CHART

LIGHTING APPLICATION	CAT #	WATTS RATED	WATTS CONSUMED	LIFE (HOURS)	LUMEN	COLOR (TEMP°K)	Lamp data is based on manufacturer's published information recalculated at approx. 12V.
Accent	9727	3	2.1	20,000	8	2,200	
Accent	9731 Xenon	3	2.7	19,000	15	2,400	