

# INSTALLATION AND SAFETY INSTRUCTIONS HC-555

## IMPORTANT SAFETY INSTRUCTIONS

**WARNING: BE SURE ELECTRICITY TO SYSTEM YOU ARE WORKING ON IS TURNED OFF; EITHER THE FUSE REMOVED OR THE CIRCUIT BREAKER IS SET AT OFF.**

## ASSEMBLY

1. Thread shade onto post (Fig. 1)
2. Install lamp, and snap glass lens between the glass holder springs (Fig. 2).
3. Feed fixture wires through deck mount base.
4. Thread post onto deck mount base.

## DECK MOUNT

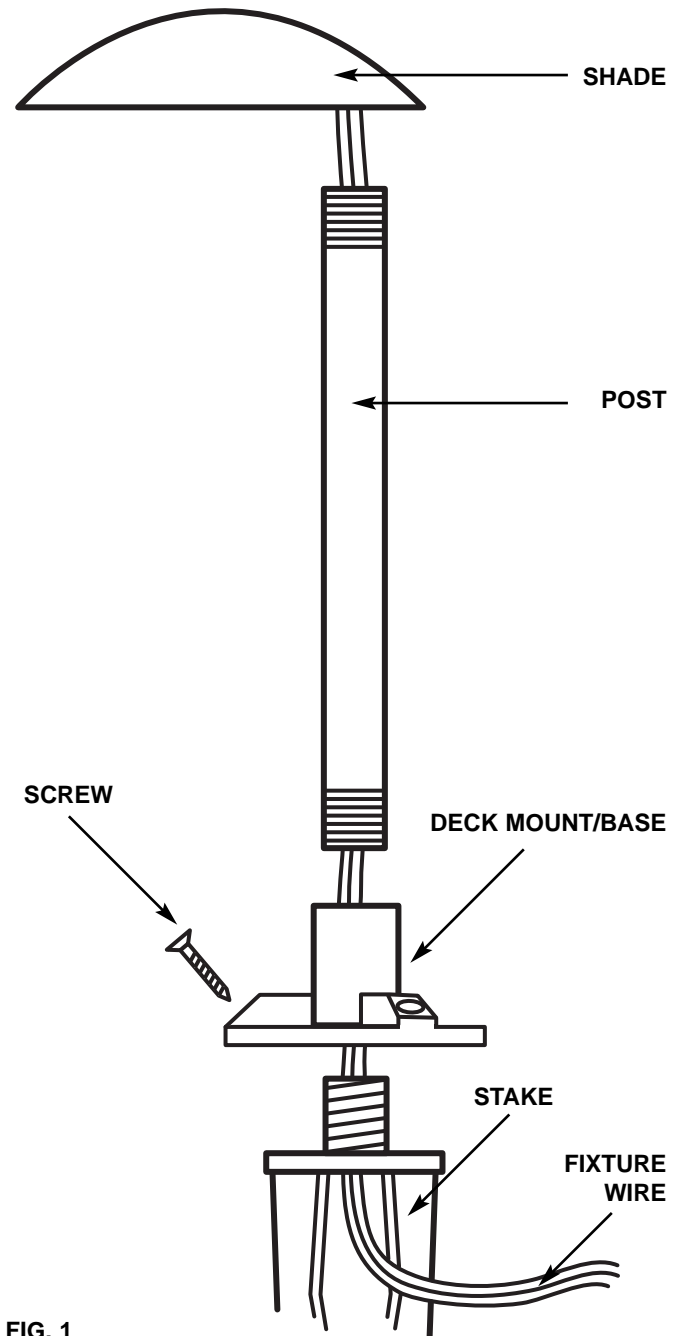
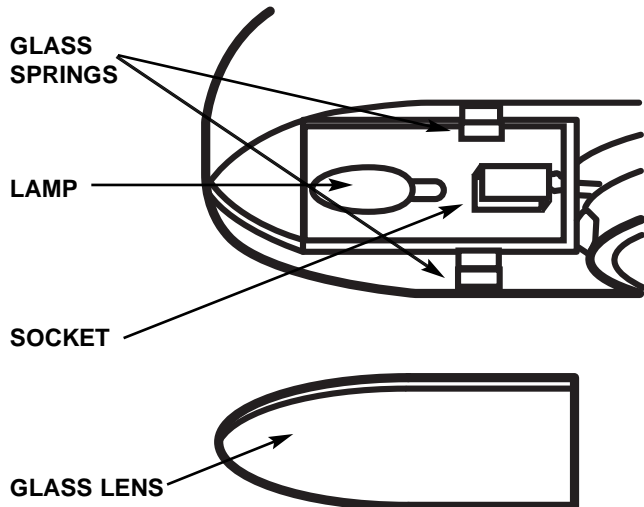
1. Secure deck mount base to deck with screws.

## GROUND MOUNT

1. Feed fixture wire through stake.
2. Slip deck mount base over stake and secure base to stake with the 3 supplied screws.
3. Insert stake into trench and tamp ground around stake to secure in place.

## FINAL INSTALL

1. Connect fixture wire to low voltage run using connector (included) or # 9386 silicone filled wire nuts (not included).



## Installation And Safety Instruction

HC-555 040201

Line art shown may not exactly match the fixture enclosed. However, the installation instructions do apply to this fixture.

Fill In Item Number On Carton And File This Sheet For Fixture Reference. ITEM# \_\_\_\_\_